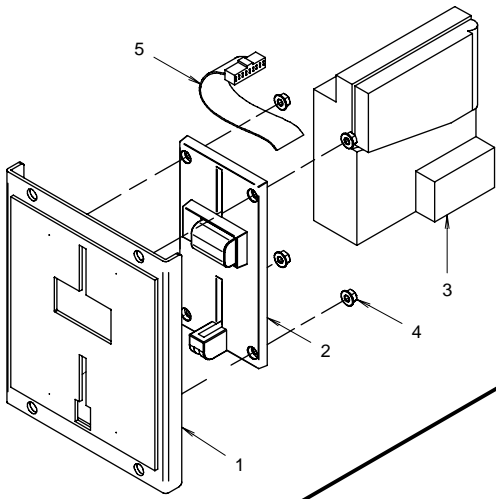
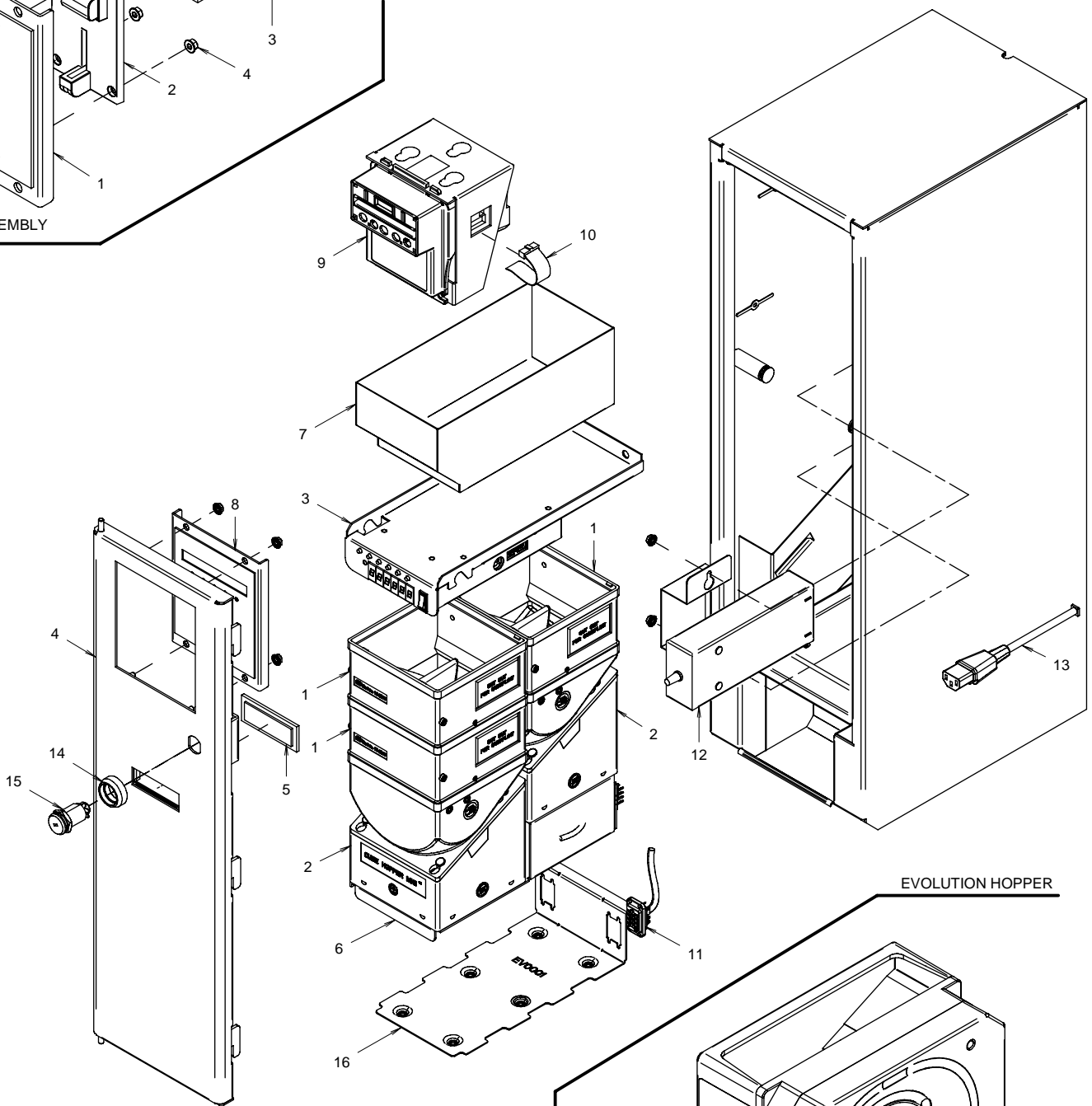


Parts List			
DRAW. NR.	PART NUMBER	DESCRIPTION	QTY
1	182-0514	ADAPTORPLATE RM5	1
2	CRMF1	FRONTPLATE FOR RM5 F00	1
3	CRM5F00	RM5 COIN ACCEPTOR FRONT ENTRY	1
4	1040-242	TENSILOCK FLANGED HEX NUT M4	4
5	182-0518	LOOM RM5	1



RM5 COIN ASSEMBLY



EVOLUTION HOPPER

Parts List			
DRAW. NR.	PART NUMBER	DESCRIPTION	QTY
1	10-0200	EXTENSION FOR CUBE HOPPER	3
2	10-1700-99	CUBE HOPPER	2
3	182-0506	MAIN BOARD UNIT	1
4	182-0507	DOOR	1
5	182-0508	RED PLASTIC LENS	1
6	182-0509	CUBE HOPPER BASE INCLUDING HARNESS	1
7	182-0511	CASHBOX	1
8	182-0513	TRIOLOGY BRACKET	1
9	182-0516	TRIOLOGY NOTE READER ASSY	1
10	182-0517	LOOM TRILOGY	1
11	182-0519	CABLE LOOM EV0001-MAINBOARD	1
12	182-0520	POWER SUPPLY 24V 130W	1
13	22-0012	POWER CABLE 3 MTR R/A 3WIRE	1
14	22-0904	SECURITY COLLAR 11.3MM HIGH	1
15	D1118KD	DESMO CASINO LOCK 28.5MM	1
16	EV0001-1	EVOLUTION BRACKET	1

Parts List			
DRAW. NR.	PART NUMBER	DESCRIPTION	QTY
1	EV11003	STANDARD HOP. 19-26,4MM FRONT	1

